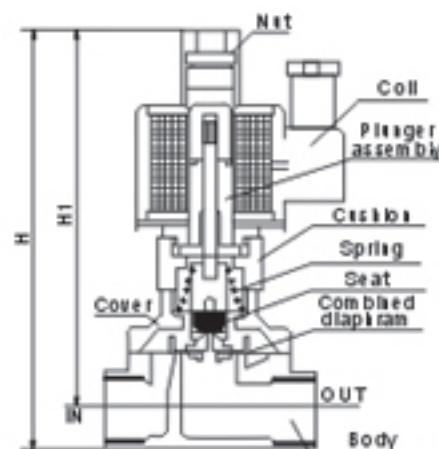


【 Technical Specifications 】

- Medium: Gas, Water, Air, Oil (below 20cst), Weak acid & alkali, Vacuum
- Temperature: $-5 \div 80^{\circ}\text{C}$
- Mode of action: Semi-direct lift type
- Pressure: Normally Closed (N/C) 8 bar;
Normally Open (N/O) 6 bar
- Body material: Brass
- Sealing material: NBR
- Protection class: IP65



ZW-25N



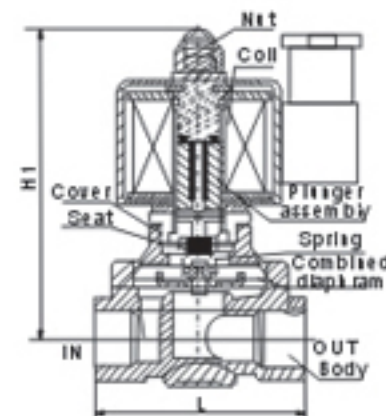
Normally Open



ZW-25NK



ZW-40



Normally Closed

OPTIONS

EPDM (E): suitable to water, hot water, gas, freon, the MAX. 110°C ; In case you choose EPDM, please state "E" in your order.

Viton (V): suitable to hot water, acid, alkali, chemical salt, oil and hydrocarbon; the MAX. 130°C . In case you choose Viton, please state "V" in your order.

Note

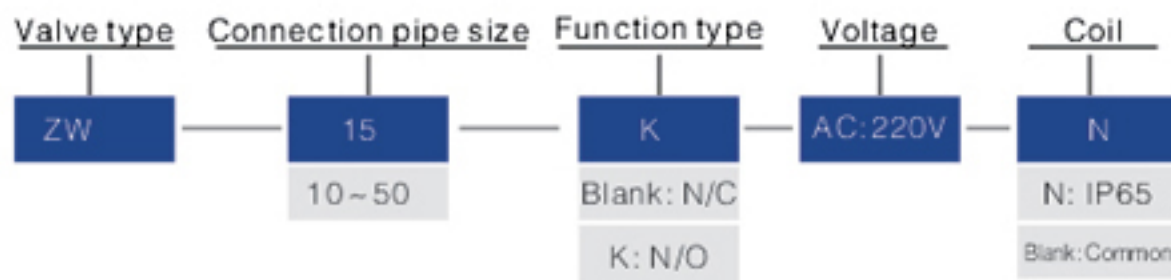
Connection: Thread or Flange.

Thread: if different from G connection, it should be indicated.

Flange: If you need, please state "F" in your order.

DN \geq 32, are metal covered coil, IP54 is standard

How to order



PARAMETERS